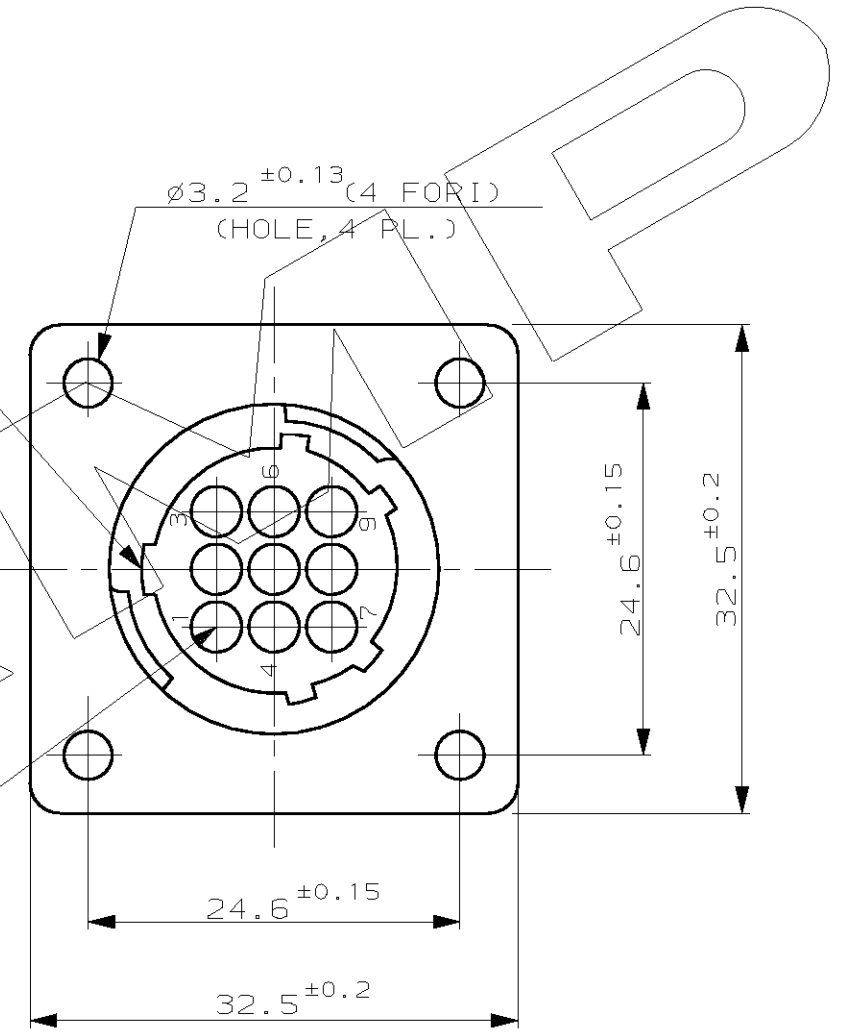


POLARIZZAZIONE (KEYING)



IL DISEGNO INDICA IL P.N. 182922-1
 (P.N. 182922-1 AS SHOWN)

NOTE (NOTES)

- MATERIALE (MATL.): TERMOPLASTICO COLORE NERO (THERMOPLASTIC, BLACK COLOR).
- OGNI CAVITA' E' IDENTIFICATA DAL NUMERO POSTO SIA SUL FRONTE CHE SUL RETRO DEL CONNETTORE. (CONTACT CAVITIES IDENTIFIED BY CHARACTERS)
- QUESTO CONNETTORE E' APPROVATO CON FILE N.E28476 E CERTIFICATO CON FILE N.LR7189A-259 (THIS CONNECTOR IS RECOGNIZED BY FILE N.E28476 AND CERTIFIED BY FILE N.LR7189A-259)

		CUSTOMER DRAWING FOR REFERENCE ONLY		DISEGNO PER CLIENTE SOLO PER RIFERIMENTO	
		THIS DRAWING IS UNPUBLISHED		RELEASE FOR PUBLICATION 1991	
		© COPYRIGHT 19 BY AMP INCORPORATED, HARRISBURG, PA. ALL INTERNATIONAL RIGHT RESERVED. AMP PRODUCTS MAY BE COVERED BY U.S. AND FOREIGN PATENT AND/OR PATENT PENDING			
		TOLLERANZE: SE NON DIVERSAMENTE SPECIFICATO (TOLERANCES: UNLESS OTHERWISE SPECIFIED)		DIAM. ISOLANTE (INS. DIA. RANGE)	
		± 0.3		RANGO FILO (WIRE RANGE)	
		ANGOLI (ANGLES) ± 2°		SCALA (SCALE)	
		DIS. (DR.) 22 JUNE 91 C.CORDOLA		DESCRIZIONE (DESCRIPTION) C.P.C. SQUARE FLANGE RECEPTACLE FOR PIN CTC.S, SIZE 13-9, STD. SEX	
C2 UPDATED PRODUCT DESCRIPTION FOR ET00-0182-02		D.C. 29NOV-2002		LOC. SIZE NUMERO (DWG NO)	
C1 REVISED ET00 0123-99		G.S.		REV. FOGLIO (SHEET)	
A RELEASED		C.C. 10-91		I A3 C-182922 C2 1 DI (OF) 1	
REV. (REV. LTR.)		REVISIONI (REVISION RECORD)		DIS. DATA (DR) (DATE)	

DISTRIBUZIONE (PRINT DIST.)